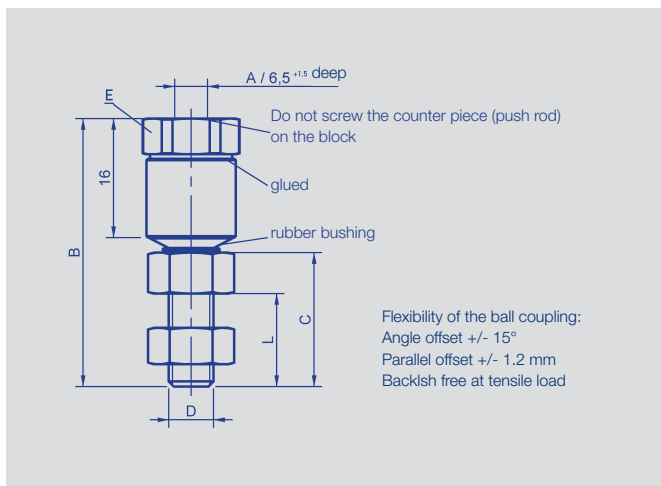


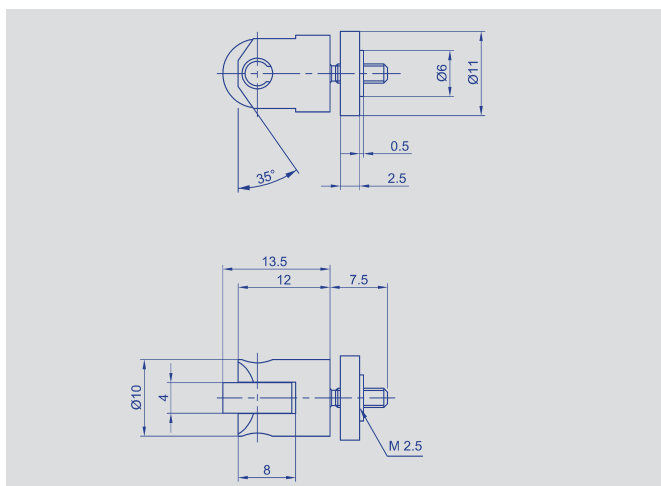
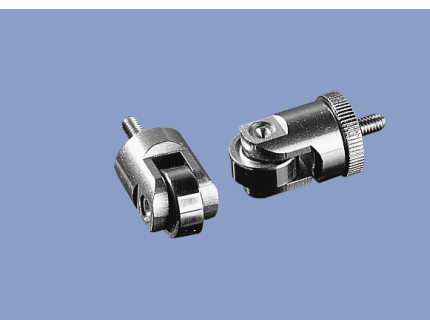
**Accessories for
Linear Transducers
- Ball Coupling
- Roller Head
- Ball and Socket
Coupling**



Z-301

Ball coupling avoids side loads. For use with transducers series LWH, TLH and TEX. Mounting via internal thread at rod.

Typ	A/D	L	B	C	E	P/N
Z-301-M6/M6	13	36	18	SW12	058001	
Z-301_M6/M4	9	37	15	SW10	005679	
Z-301-M5/M5	14	36	15	SW12	058002	



Z-R50

Roller head to be used with transducers series LS1, TR/TRS and FTI. Hardened steel roll. Mounting via external thread M2.5, lock with knurled screw.

Typ	P/N
Z-R50	005678

Novotechnik
Messwertaufnehmer OHG

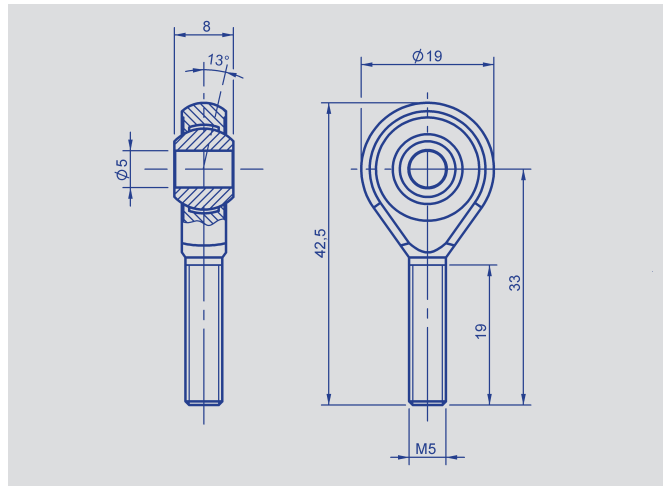
Postfach 4220
73745 Ostfildern (Ruit)
Horbstraße 12
73760 Ostfildern (Ruit)

Telefon +49 711 4489-0
Telefax +49 711 4489-118
info@novotechnik.de
www.novotechnik.de



© 04/2017

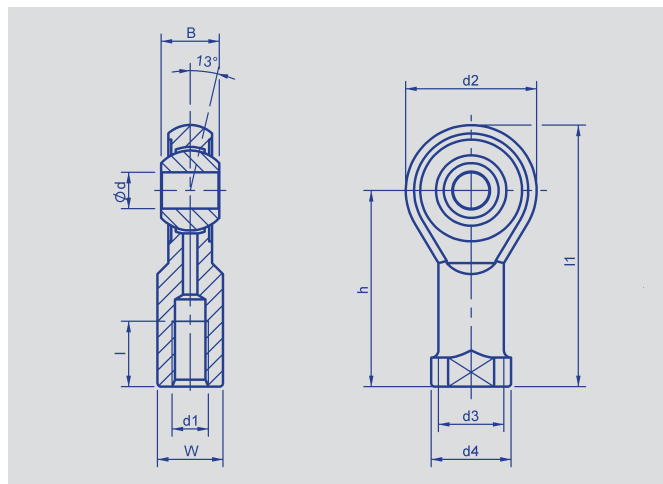
Printed in Germany.



Z-G02

Ball and socket coupling for rod Series TP1.
Tilt angle max. 13°.
Mounting via external thread.

Typ	P/N	for Series
Z-G02	00033	TP1



Z-G_ _

Ball and socket coupling for transducer Series LWH, TLH and TEX.
Tilt angle max. 13°.
Mounting via external thread.

Typ	P/N	for Series
Z-G60	058100	LWH
Z-G01	056014	TLH / TEX
Typ	Art.Nr.	Art.Nr.
	058100	056014
	Z-G60	Z-G01
Ød	6	5
d1	M6	M5
d2	12	19
d3	10	9
d4	13	11
B	9	8
h	30	27
l min.	9	8
l1	40.5	36.5
W	11	9

The specifications contained in our datasheets are intended solely for informational purposes. The documented specification values are based on ideal operational and environmental conditions and can vary significantly depending on the actual customer application. Using our products at or close to one or more of the specified performance ranges can lead to limitations regarding other performance parameters. It is therefore necessary that the end user verifies relevant performance parameters in the intended application. We reserve the right to change product specifications without notice.